

**Features**

- 32<sup>43</sup>/<sub>64</sub>" (832) x 19<sup>45</sup>/<sub>64</sub>" (500) x 9<sup>29</sup>/<sub>32</sub>" (252) kitchen sink.
- Sink is glazed on all four exterior sides. Suitable for undermount, flush mount, built-up, or above counter installation.
- Double equal compartments.
- Farmhouse style with a wrap around 9<sup>29</sup>/<sub>32</sub>" (252) high apron front.
- Front panel is reversible. Fluted pattern on one side, plain front (no pattern) on other side.
- Made of highest grade fireclay, which is clay heated to an extremely high 1600° making the sink hard and durable, with a beautiful high shine.
- Durability of fireclay means it is resistant to scratches and chips and is easy to clean.
- Extra deep bowls means more room for big pots.
- Fits 36" (914) minimum base cabinet width.

**Components**

Product includes:  
Installation Instructions

**Options**

TSGF33202 Stainless Steel Bottom Sink Grid Set  
2210R Covered Sink Strainer  
4010 Covered Disposer Strainer

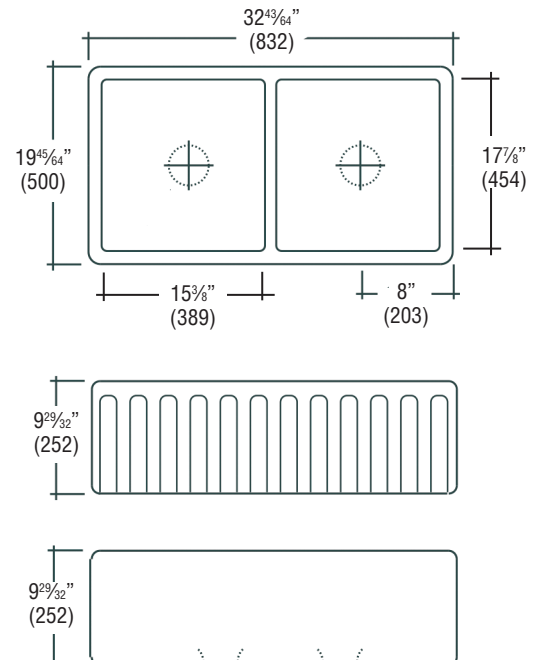
**Warranty**

- Lifetime Limited Warranty



**Specified Model**

| Model                   | FUDF332010  |
|-------------------------|---|
| Overall Dimensions      | L32 <sup>43</sup> / <sub>64</sub> " x W19 <sup>45</sup> / <sub>64</sub> " x D9 <sup>29</sup> / <sub>32</sub> "<br>832 x 500 x 252 |
| Bowl Dimensions (Left)  | L15 <sup>3</sup> / <sub>8</sub> " x W17 <sup>7</sup> / <sub>8</sub> " x D9 <sup>1</sup> / <sub>2</sub> "<br>391 x 454 x 241       |
| Bowl Dimensions (Right) | L15 <sup>3</sup> / <sub>8</sub> " x W17 <sup>7</sup> / <sub>8</sub> " x D9 <sup>1</sup> / <sub>2</sub> "<br>391 x 454 x 241       |
| Drain holes:            | 3 <sup>5</sup> / <sub>8</sub> " (92mm)  |
| Shipping Weight         | 100.3 lbs. 45.5 kg.   |
| Material                | Fireclay  |
| Color                   | White   |
| Installation            | under counter mounted   |
| Required                | template, included  |



**Codes/Standards**

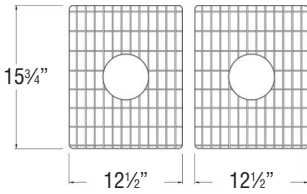
ASME A112.19.3/CSA B45.4

**Notes**

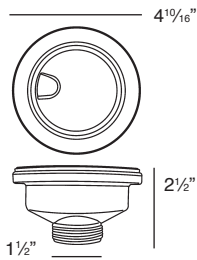
Install this product according to the installation instructions.

**Optional Accessories**

TSGF33202 Bottom Sink Grid Set

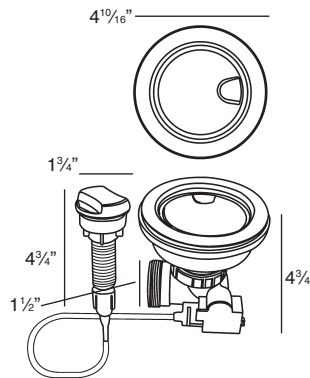


**2210R Covered Flip Top Sink Strainer.**



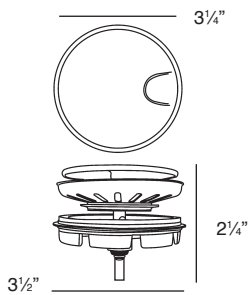
Water drains easily when cover is in place. Cover flips up with easy touch. Cover makes a flat surface at the sink bottom that prevents food waste from getting into the strainer basket for easy sink clean up. Polypropylene housing. Fits standard 3 1/2" opening.

**2310 Remote Covered Flip Top Sink Strainer.**



Turn the remote knob to open and close drain. Water drains easily when cover is in place. Cover flips up with easy touch. Cover makes a flat surface at the sink bottom that prevents food waste from getting into the strainer basket for easy sink clean up. Polypropylene housing. Fits standard 3 1/2" opening. 1 3/8" hole required in countertop for remote installation. Remote cable 25 1/2" L.

**4010 Covered Flip Top Disposer Strainer.**



Water drains easily when cover is in place. Cover flips up with easy touch. Polypropylene housing. Top mount installation for 3 1/2" opening.